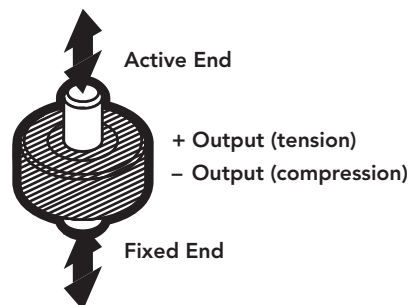




FEATURES

- Minimal mounting clearance
- 17-4 PH stainless-steel construction
- For use in both tension and compression
- Utilizes metal foil strain gauge technology
- Adheres to RoHS directive 2011/65/EU
- Accessories and related instruments available

 Non-loading surface, do not contact



SPECIFICATIONS

PERFORMANCE

Nonlinearity	±0.25% of RO
Hysteresis	±0.25% of RO
Nonrepeatability	±0.1% of RO

ELECTRICAL

Rated Output (RO)	2 mV/V nom
Excitation (VDC or VAC)	15 max
Bridge Resistance	740 ohm nom
Insulation Resistance	≥500 Mohm @ 50 VDC
Connection	#28 AWG, 4-conductor braided-shielded PVC cable 10 ft (3 m) long
Wiring/Connector Code	WC1

MECHANICAL

Weight (minus cable)	1.5 oz [42.5 g]
Safe Overload	150% of RO
Deflection	0.001 in [0.03 mm] nom
Material (flexure)	17-4 PH stainless-steel
IP Rating	IP64

TEMPERATURE

Operating Temperature	-45 to 200°F (-42 to 93°C)
Compensated Temperature	60 to 160°F (15 to 72°C)
Temperature Shift Zero	±0.005% of RO/°F (±0.01 of RO/°C)
Temperature Shift Span	±0.02% of load/°F (±0.036 of load/°C)

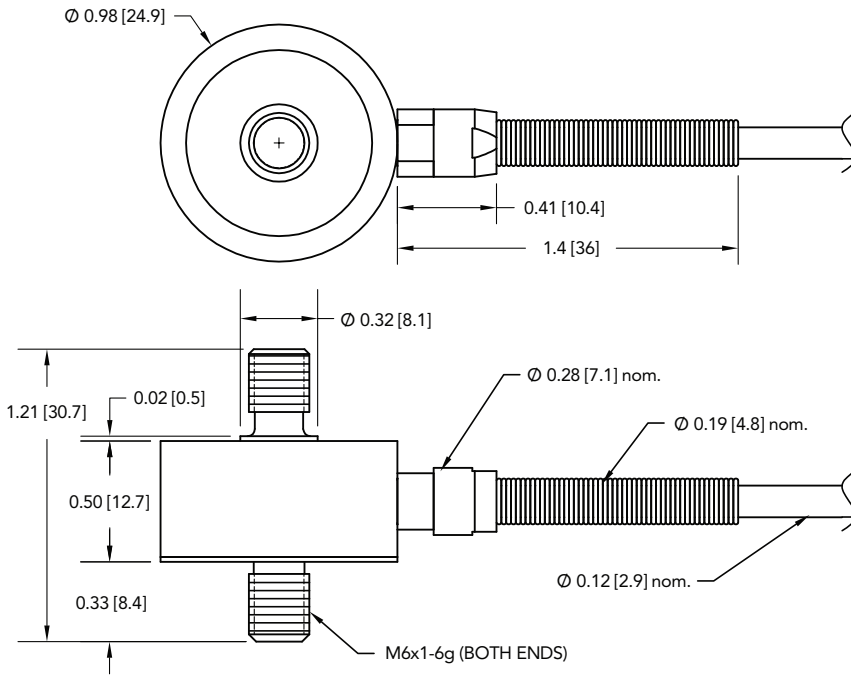
CALIBRATION

Calibration Test Excitation	10 VDC
Calibration (standard)	5-pt Tension
Calibration (available)	Compression
Shunt Calibration Value	100 kohm

CONFORMITY

RoHS	2011/65/EU
CE	EN55011:2009; EN61326-1:2006

DIMENSIONS inches [mm]



WIRING CODE (WC1)

RED	+ EXCITATION
BLACK	- EXCITATION
GREEN	+ SIGNAL
WHITE	- SIGNAL
SHIELD	FLOATING

CAPACITIES

ITEM #	lb	N	Natural Frequency
FSH03884	50	223	7.5 kHz
FSH03885	100	445	10.2 kHz
FSH03886	250	1112	16.2 kHz
FSH03887	500	2224	22.9 kHz
FSH03888	1000	4448	30.1 kHz

Asia

联系方式

智美康科技（深圳）有限公司

ZHIMK TECHNOLOGY (SHEN ZHEN) CO.,LTD.
Shenzhen , China 518033

Tel: +86 755 8303 5030/8989 4565 , 13048972929

Email: liulijun18@126.com

www.zhimk.com.cn



R0HS



U.S. Manufacturer